

KEY FEATURES

- High power handling (100 W RMS)
- High mechanical resistance kevlar cone
- Designed for low-medium frequencies reproduction

TECHNICAL SPECIFICATIONS

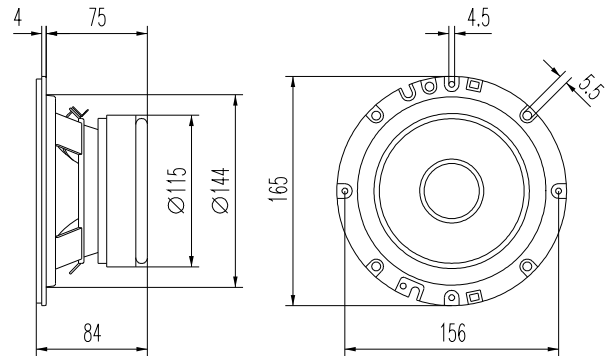
| | |
|--------------------------|-------------------|
| Nominal diameter | 165 mm. 6.5 in. |
| Nominal impedance | 4 ohms |
| Power handling / maximum | 100 W RMS / 200 W |
| Sensitivity | 89 dB 1w @ 1m |
| Frequency range | 45 - 4000 Hz |
| Voice coil diameter | 38.5 mm. 1.5 in. |
| Bl factor | 6.7 N/A |
| Moving mass | 0.016 Kg. |

THIELE-SMALL PARAMETERS

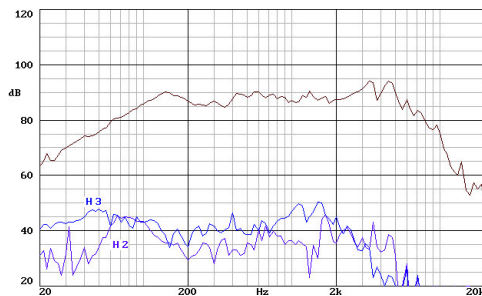
| | |
|--|---------------------|
| Resonant frequency, f_s | 62 Hz |
| D.C. voice coil resistance, R_e | 3.7 ohms. |
| Mechanical quality factor, Q_{ms} | 5.69 |
| Electrical quality factor, Q_{es} | 0.54 |
| Total quality factor, Q_{ts} | 0.49 |
| Equivalent air volume to C_{ms} , V_{as} | 9 l |
| Efficiency, η (%) | 0.42 |
| Effective surface area, S_d | 130 cm ² |
| X_{max} | 4 mm |
| Voice coil inductance, L_e @ 1kHz | 0.4 mH |



DIMENSION DRAWINGS



FREQUENCY RESPONSE



Note: on axis frequency response measured with loudspeaker standing on infinite baffle in anechoic chamber, 1w @ 1m.

FREE AIR IMPEDANCE CURVE

